



KRIZA V.2

Recessed Mounted 40 W Spot LED Luminaire

Order Code : 3236293
Product Code : KRZ 040A 40SD00 40 4K8 2X V.2 FLP



Product Data

Standard Features

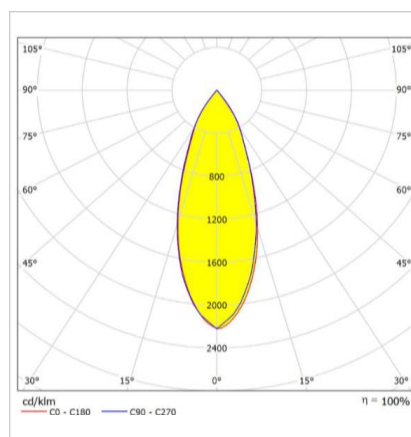
| | |
|--------------------|-------------------------------|
| Housing | : Aluminium injection housing |
| Diffuser | : 40° Reflector |
| Ceiling Type | : Plasterboard |
| IP Grade | : IP20 |
| Installation | : Recessed mounted |
| Light Source | : COB LED |
| Electronic Control | : On/Off |

Optical & Electrical Features

| | |
|------------------------------|---------------------|
| Power Consumption | : 40 W |
| Final Luminous Flux | : 4840 lm |
| Efficacy | : 121 lm/W |
| Input Voltage | : 220-240 V AC |
| Frequency | : 50-60 Hz |
| Power Factor | : $\cos \phi > 0,9$ |
| Correlated Color Temperature | : 4000K |
| Color Rendering Index | : >80 |

* There is $\pm 10\%$ Tolerance in Technical Values.

Photometric Curve



Other Features & Conditions

| | |
|--|---|
| Operating Temperature Range | : $-5\text{ }^{\circ}\text{C} / +35\text{ }^{\circ}\text{C}$ |
| Operating Temperature Range With Emergency Kit | : $+10\text{ }^{\circ}\text{C} / +35\text{ }^{\circ}\text{C}$ |
| Impact Resistance | : IK03 |
| Led Life Time - L70 | : 72.000 hours @ $T_a = 35\text{ }^{\circ}\text{C}$ |

Optional Features

| | |
|-------------------------------|-----------------------------|
| Correlated Color Temperatures | : 2700K / 3000K / 6500K |
| Emergency Kit Options | : 1 / 3 hours |
| DALI Option | : Yes |
| Degree Option | : $24^{\circ} / 60^{\circ}$ |

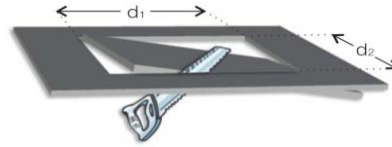
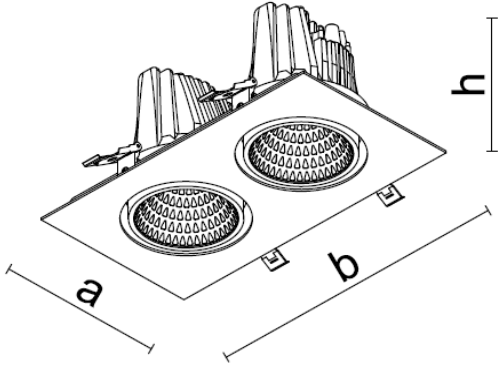
KRIZA V.2

Recessed Mounted 40 W Spot LED Luminaire

3236293 KRZ 040A 40SD00 40 4K8 2X V.2 FLP

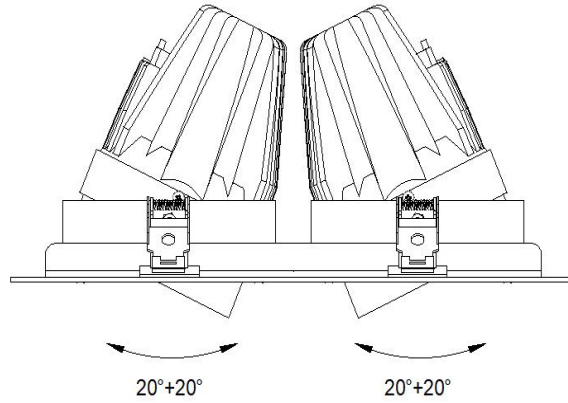
Dimensions (mm)

| | a | b | h | d1 X d2 |
|----------|-----|-----|-----|---------|
| Standard | 155 | 285 | 120 | 265x140 |



Weight (kg)

| | |
|----------|-------|
| Standart | 2.700 |
|----------|-------|



- EAE, reserves the right to make changes without prior notice.

engineering the light

EAE Aydınlatma A.Ş.
İkitelli Organize Sanayi Bölgesi Eski Turgut Özal Caddesi No:20 Başakşehir / İSTANBUL-TURKEY
Phone: +90 212 413 21 00 (pbx) Fax: +90 212 549 37 90
www.eaeaydinlatma.com.tr

Revision date: 05.12.2022