



KRIZA V.2

Recessed Mounted 40 W Spot LED Luminaire

Order Code : 3236292
Product Code : KRZ 040A 40SD00 24 4K8 2X V.2 FLP



Product Data

Standard Features

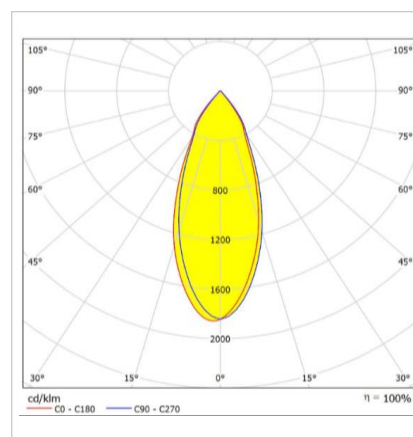
Housing	: Aluminium injection housing
Diffuser	: 24° Reflector
Ceiling Type	: Plasterboard
IP Grade	: IP20
Installation	: Recessed mounted
Light Source	: COB LED
Electronic Control	: On/Off

Optical & Electrical Features

Power Consumption	: 40 W
Final Luminous Flux	: 4840 lm
Efficacy	: 121 lm/W
Input Voltage	: 220-240 V AC
Frequency	: 50-60 Hz
Power Factor	: $\cos \phi > 0,9$
Correlated Color Temperature	: 4000K
Color Rendering Index	: >80

* There is $\pm 10\%$ Tolerance in Technical Values.

Photometric Curve



Other Features & Conditions

Operating Temperature Range	: -5 °C / +35 °C
Operating Temperature Range With Emergency Kit	: +10 °C / +35 °C
Impact Resistance	: IK03
Led Life Time - L70	: 72.000 hours @Ta= 35 °C

Optional Features

Correlated Color Temperatures	: 2700K / 3000K / 6500K
Emergency Kit Options	: 1 / 3 hours
DALI Option	: Yes
Degree Option	: 40° / 60°

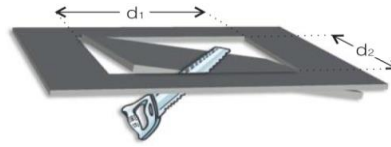
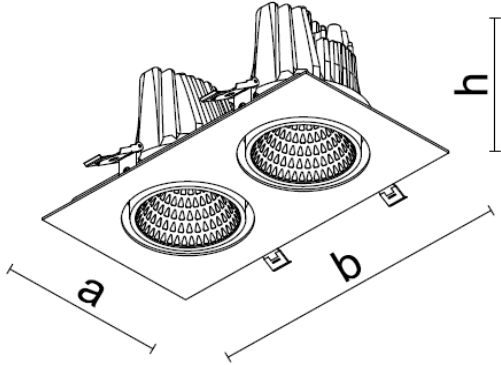
KRIZA V.2

Recessed Mounted 40 W Spot LED Luminaire

3236292 KRZ 040A 40SD00 24 4K8 2X V.2 FLP

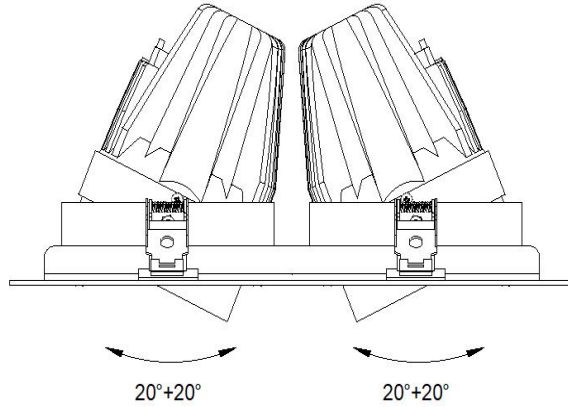
Dimensions (mm)

	a	b	h	d1 X d2
Standard	155	285	120	265x140



Weight (kg)

Standart	2.700
----------	-------



- EAE, reserves the right to make changes without prior notice.

engineering the light

EAE Aydınlatma A.Ş.
İkitelli Organize Sanayi Bölgesi Eski Turgut Özal Caddesi No:20 Başakşehir / İSTANBUL - TURKEY
Phone: +90 212 413 21 00 (pbx) Fax: +90 212 549 37 90
www.eeaydinlatma.com.tr

Revision date: 05.12.2022