



SERA ADJUSTABLE

Recessed Mounted 10 W Spot Led Lighting Luminaire

Order Code : 3236275
Product Code : SRA 010A 40SD00 36 1K1 ADJ FLP



Product Data

Standard Features

Housing	: Aluminium injection housing
Optic	: 36° Reflector / Transparent Diffuser
IP Grade	: IP20
Installation	: Recessed mounted
Light Source	: COB LED
Electronic Control	: On-Off

Optical & Electrical Features

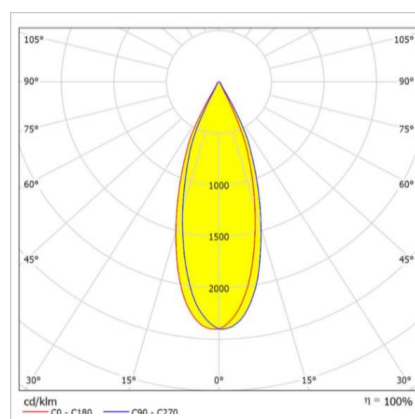
Power Consumption	: 10.1 W
Final Luminous Flux	: 1060 lm
Efficacy	: 106 lm/W
Input Voltage	: 220-240 V AC
Frequency	: 50-60 Hz
Power Factor	: > 0,9
Correlated Color Temperature	: 4000K
Color Rendering Index	: >80

* There is $\pm 10\%$ Tolerance in Technical Values.

Other Features & Conditions

Operating Temperature Range	: -5 °C / +35 °C
Operating Temperature Range With Emergency Kit	: +10 °C / +35 °C
Impact Resistance	: IK03
Led Life Time - L70	: 72.000 saat @Ta= 35 °C

Photometric Curve



Optional Features

Correlated Color Temperatures	: 2700 / 3000K / 6500K
Emergency Kit Options	: 1 / 3 hours
DALI Option	: Yes
Degree Option	: 24° / 60°

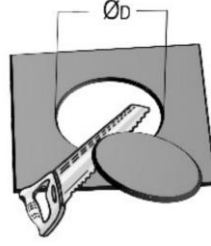
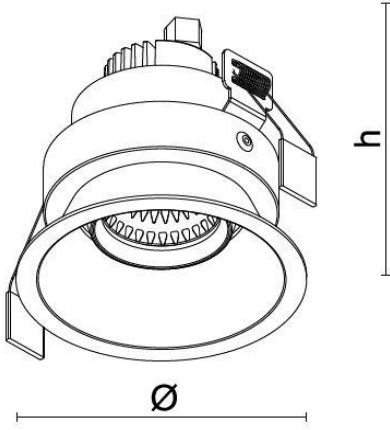
SERA ADJUSTABLE

Recessed Mounted 10 W Spot Led Lighting Luminaire

3236275 SRA 010A 40SD00 36 1K1 ADJ FLP

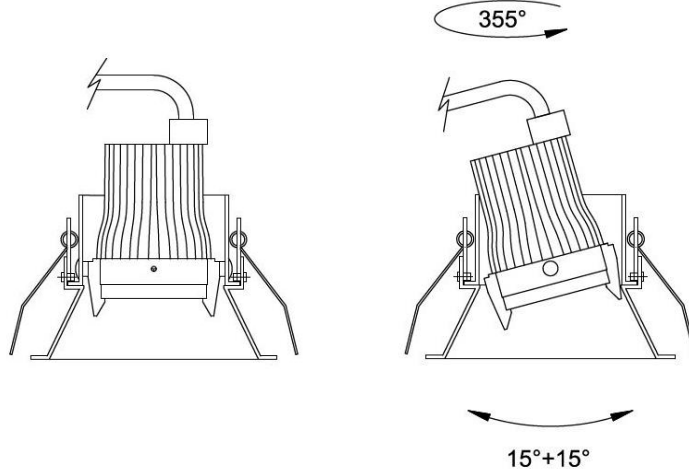
Dimensions (mm)

	Ø	h	ØD
Standart	100	110	90



Weight (kg)

Standard	0.320
----------	-------



- EAE, reserves the right to make changes without prior notice.

engineering the light

EAE Aydınlatma A.Ş.
İkitelli Organize Sanayi Bölgesi Eski Turgut Özal Caddesi No:20 Başakşehir / İSTANBUL-TURKEY
Phone: +90 212 413 21 00 (pbx) Fax: +90 212 549 37 90
www.eaeaydinlatma.com.tr

Revision date: 29.12.2022