



REVOLED HE 90°

Surface Mounted 26 W LED High Bay Luminaire

Order Code : 3191359
 Product Code : RVX 026U 40TF00 90 4K06 HE



Product Data

Standard Features

| | |
|--------------------|-------------------------------------|
| Housing | : Aluminium profile housing |
| Diffuser | : Tempered glass with security film |
| Optic | : 90° Lens |
| IP Grade | : IP66 |
| Installation | : Surface mounted |
| Light Source | : Mid Power LED |
| Electronic Control | : On/Off |

Optical & Electrical Features

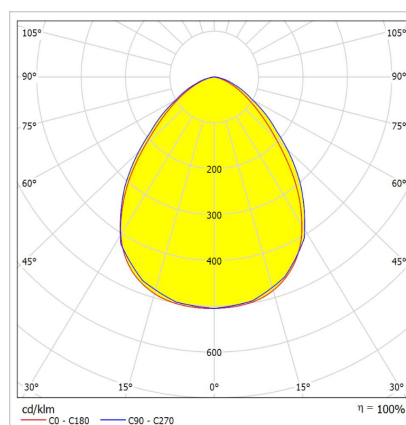
| | |
|------------------------------|--------------|
| Power Consumption | : 26 W |
| Final Luminous Flux | : 4064.8 lm |
| Efficacy | : 155.7 lm/W |
| Input Voltage | : 220-240 V |
| Frequency | : 50-60 Hz |
| Power Factor | : > 0,9 |
| Surge Transient Protection | : 1 kV |
| Drive Current | : 375 mA |
| Correlated Color Temperature | : 4000K |
| Color Rendering Index | : >80 |
| Photobiological Risk Group | : RG1 |

* There is ± 10% Tolerance in Technical Values.

Other Features & Conditions

| | |
|--|------------------------------|
| Operating Temperature Range | : -20 °C/+45 °C |
| Operating Temperature Range With Emergency Kit | : +5 °C/+35 °C |
| Impact Resistance | : IK08 |
| Led Life Time - L70 | : > 102.000 hours @Ta= 45 °C |

Photometric Curve



Optional Features

| | |
|-------------------------------|-----------------------|
| Correlated Color Temperatures | : 3000K, 5700K, 6500K |
| Emergency Kit Options | : 1, 3 hours |
| DALI Option | : Yes |

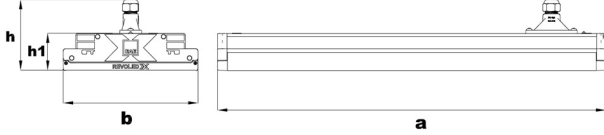


REVOLED X HE 90°

Surface Mounted 26 W LED High Bay Luminaire

3191359 RVX 026U 40TF00 90 4K06 HE

Standard Model & ECK



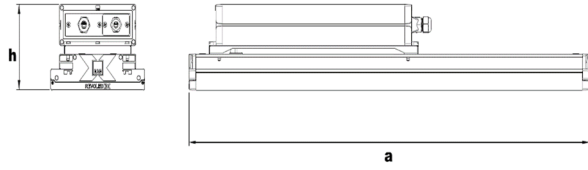
| Dimension (mm) | a | b | h | h1 |
|--------------------------------|-----|-----|-----|----|
| Standard | 423 | 209 | 109 | 57 |
| DALI CG (Double Entry) | 493 | 209 | 109 | 57 |
| With Emergency Kit (1, 3 hrs.) | 950 | 209 | 109 | 57 |
| ECK Box Model (1, 3 hrs.) | 603 | 209 | 135 | 57 |

* ECK: Emergency Kit

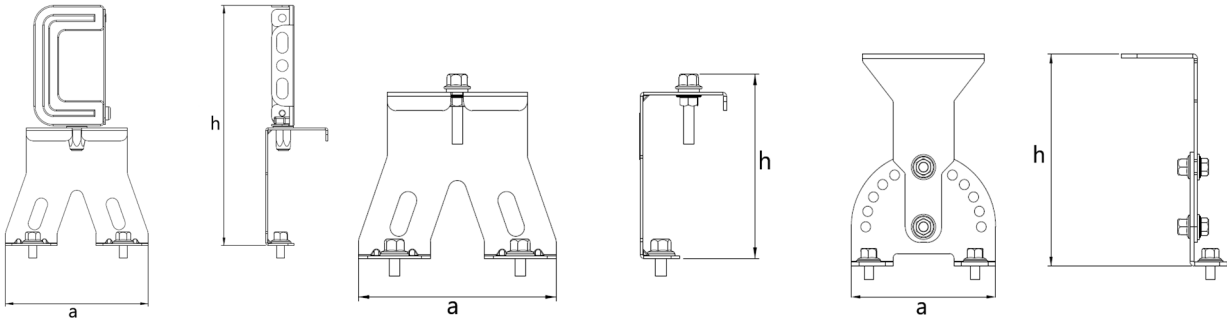
Weight (kg)

| | |
|--------------------------------|------|
| Standard | 3,24 |
| DALI CG | 3,77 |
| With Emergency Kit (1, 3 hrs.) | 7,26 |
| ECK Box Model (1, 3 hrs.) | 7 |

Emergency Lighting Kit Box Model



Suspension Set



Busbar Hanger Set

Product Code : 3179883

| a | h | Weight (gr) |
|-------|-------|-------------|
| 110mm | 183mm | 312 |

Cable Tray and Wall Hanger Set

Product Code : 3179885

| a | h | Weight (gr) |
|-------|------|-------------|
| 110mm | 90mm | 191 |

Wall-Mounted Hanger Set

With 10° Angular Adjustment Steps

Product Code : 3179886

| a | h | Weight (gr) |
|------|-------|-------------|
| 95mm | 135mm | - |

• EAE, reserves the right to make changes without prior notice.



EAE Aydınlatma A.Ş.

İkitelli Organize Sanayi Bölgesi Eski Turgut Özal Caddesi No:20 Başakşehir / İSTANBUL-TURKEY Phone: +90 212 413 21 00 (pbx) Fax: +90 212 549 37 90

www.eaeaydinlatma.com.tr

Revision date: 09.03.2021