



# REVOLED 30° - 90°

Surface Mounted 77 W LED High Bay Luminaire

Order Code : 3191306  
Product Code : RVX 077U 40TF00 3090 12K7



## Product Data

### Standard Features

Housing	: Aluminium profile housing
Diffuser	: Tempered glass with security film
Optic	: 30° - 90° Lens
IP Grade	: IP66
Installation	: Surface mounted
Light Source	: Mid Power LED

### Optical & Electrical Features

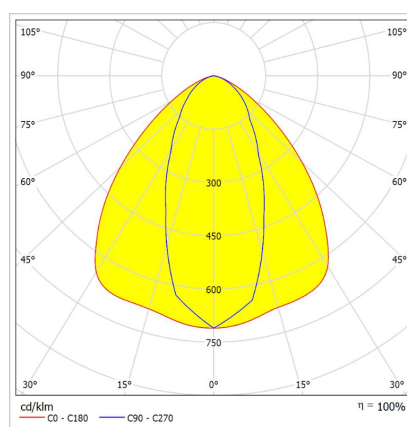
Power Consumption	: 77.4 W
Final Luminous Flux	: 12762.8 lm
Efficacy	: 164.7 lm/W
Input Voltage	: 220-240 V
Frequency	: 50-60 Hz
Power Factor	: > 0,9
Surge Transient Protection	: 1 kV
Drive Current	: 400 mA
Correlated Color Temperature	: 4000K
Color Rendering Index	: >80

\* There is ± 10% Tolerance in Technical Values.

### Other Features & Conditions

Operating Temperature Range	: -20 °C/+50 °C
Operating Temperature Range With Emergency Kit	: +5 °C/+35 °C
Impact Resistance	: IK07
Led Life Time - L70	: > 102.000 hours @Ta= 50 °C

## Photometric Curve



### Optional Features

Correlated Color Temperatures	: 3000K, 5700K, 6500K
Emergency Kit Options	: 1, 3 hours
DALI Option	: Yes

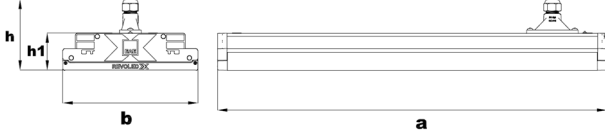


## REVOLED X 30°- 90°

Surface Mounted 77 W LED High Bay Luminaire

3191306 RVX 077U 40TF00 3090 12K7

### Standard Model & ECK



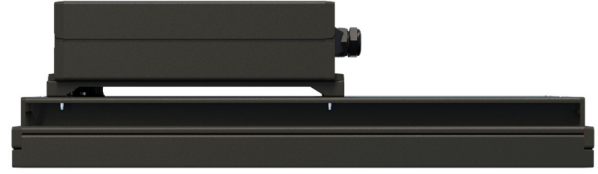
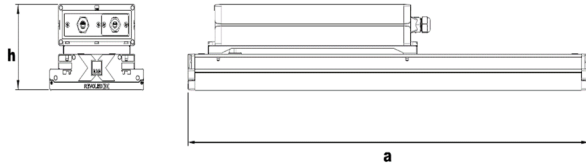
Dimension (mm)	a	b	h	h1
Standard	890	209	109	57
With Emergency Kit (1, 3 hrs.)	1030	209	109	57
ECK Box Model (1, 3 hrs.)	890	209	135	57

\* ECK: Emergency Kit

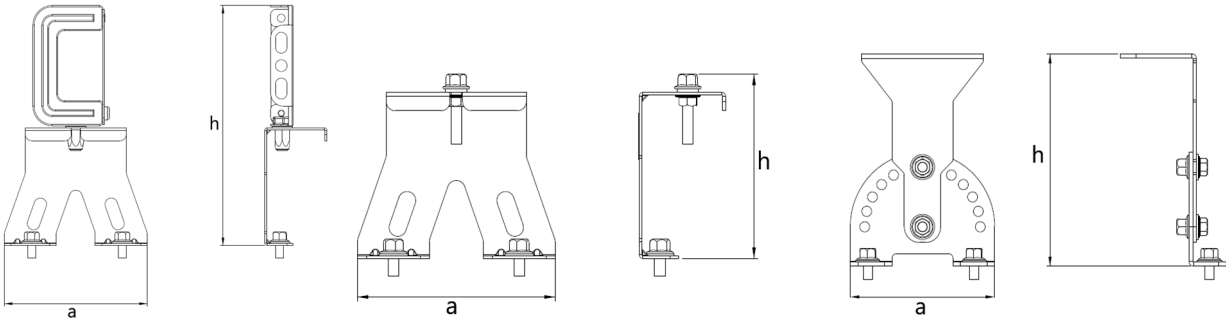
### Weight (kg)

Standard	6.7
With Emergency Kit (1, 3 hrs.)	8
ECK Box Model (1, 3 hrs.)	9.5

### Emergency Lighting Kit Box Model



### Suspension Set



#### Busbar Hanger Set

Product Code : 3179883

a	h	Weight (gr)
110mm	183mm	312

#### Cable Tray and Wall Hanger Set

Product Code : 3179885

a	h	Weight (gr)
110mm	48mm	191

#### Wall-Mounted Hanger Set

With 10° Angular Adjustment Steps

Product Code : 3179886

a	h	Weight (gr)
95mm	70mm	-

- EAE, reserves the right to make changes without prior notice.



EAE Aydınlatma A.Ş.

İkitelli Organize Sanayi Bölgesi Eski Turgut Özal Caddesi No:20 Başakşehir / İSTANBUL-TURKEY Phone: +90 212 413 21 00 (pbx) Fax: +90 212 549 37 90

www.eaeaydinlatma.com.tr

Revision date: 29.04.2021