

REVOLED 30° - 90°

Surface Mounted 53 W LED High Bay Luminaire

Order Code : 3191290
Product Code : RVX 053U 40TF00 3090 8K31



Product Data

Standard Features

Housing	: Aluminium profile housing
Diffuser	: Tempered glass with security film
Optic	: 30° - 90° Lens
IP Grade	: IP66
Installation	: Surface mounted
Light Source	: Mid Power LED

Optical & Electrical Features

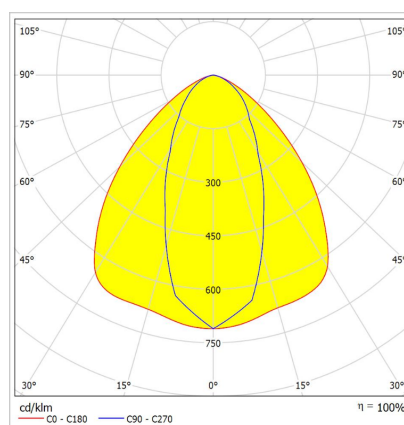
Power Consumption	: 53.3 W
Final Luminous Flux	: 8313.0 lm
Efficacy	: 155.8 lm/W
Input Voltage	: 220-240 V
Frequency	: 50-60 Hz
Power Factor	: > 0,9
Surge Transient Protection	: 1 kV
Drive Current	: 400 mA
Correlated Color Temperature	: 4000K
Color Rendering Index	: >80

* There is ± 10% Tolerance in Technical Values.

Other Features & Conditions

Operating Temperature Range	: -20 °C/+50 °C
Operating Temperature Range With Emergency Kit	: +5 °C/+35 °C
Impact Resistance	: IK09
Led Life Time - L70	: > 102.000 hours @Ta= 50 °C

Photometric Curve



Optional Features

Correlated Color Temperatures	: 3000K, 5700K, 6500K
Emergency Kit Options	: 1, 3 hours
DALI Option	: Yes

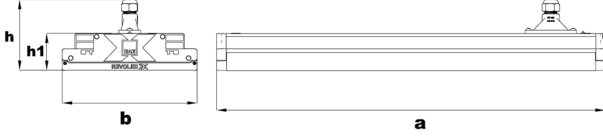


REVOLED X 30°- 90°

Surface Mounted 53 W LED High Bay Luminaire

3191290 RVX 053U 40TF00 3090 8K31

Standart Model & ECK



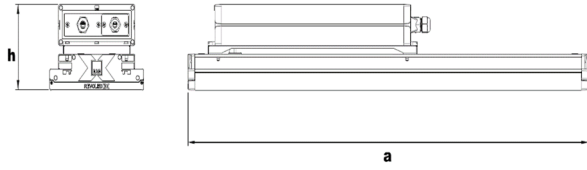
Dimension (mm)	a	b	h	h1
Standard	603	209	109	57
With Emergency Kit (1, 3 hrs.)	950	209	109	57
ECK Box Model (1, 3 hrs.)	603	209	135	57

* ECK: Emergency Kit

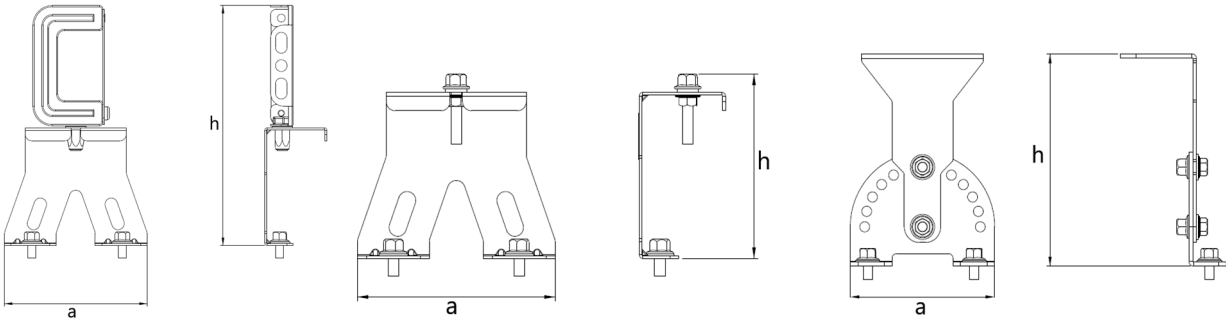
Weight (kg)

Standard	4.59
With Emergency Kit (1, 3 hrs.)	7,26
ECK Box Model (1, 3 hrs.)	7

Emergency Lighting Kit Box Model



Suspension Set



Busbar Hanger Set

Product Code : 3179883

a	h	Weight (gr)
110mm	183mm	312

Cable Tray and Wall Hanger Set

Product Code : 3179885

a	h	Weight (gr)
110mm	48mm	191

Wall-Mounted Hanger Set

With 10° Angular Adjustment Steps

Product Code : 3179886

a	h	Weight (gr)
95mm	70mm	-

- EAE, reserves the right to make changes without prior notice.



EAE Aydınlatma A.Ş.

İkitelli Organize Sanayi Bölgesi Eski Turgut Özal Caddesi No:20 Başakşehir / İSTANBUL-TURKEY Phone: +90 212 413 21 00 (pbx) Fax: +90 212 549 37 90

www.eaeaydinlatma.com.tr

Revision date: 29.04.2021