

Order Code : 3099998
 Product Code : STL 048A 40OD00 4K2 180TK3I LN6XST

Product Data

Standard Features

Housing	: RAL 7047 Powder finished aluminium extrusion housing, aluminium injection cover
Diffuser	: Glare minimizing highly permeable diffuser
Ceiling Type	: Plasterboard
IP Grade	: IP40
Installation	: Recessed mounted
Light Source	: Mid Power LED

Optical & Electrical Features

Power Consumption	: 47.5 W
Final Luminous Flux	: 4648.1 lm
Efficacy	: 97.8 lm/W
Input Voltage	: 220-240 V AC
Frequency	: 50-60 Hz
Power Factor	: > 0,9
Surge Transient Protection	: 1 kV
Drive Current	: 1200 mA
Correlated Color Temperature	: 4000K
Color Rendering Index	: >80

*There is ±%10 tolerance in the technical values.

Other Features & Conditions

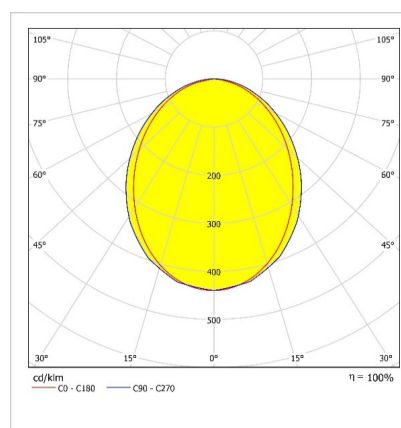
Operating Temperature Range	: -25 °C/+40 °C
Operating Temperature Range With Emergency Kit	: +5 °C/+35 °C
Impact Resistance	: IK02
Led Life Time - L70	: > 72.000 hours @Ta= 40 °C

STL

48 W Recessed Mounted Single Module
 Linear LED Luminaire



Photometric Curve



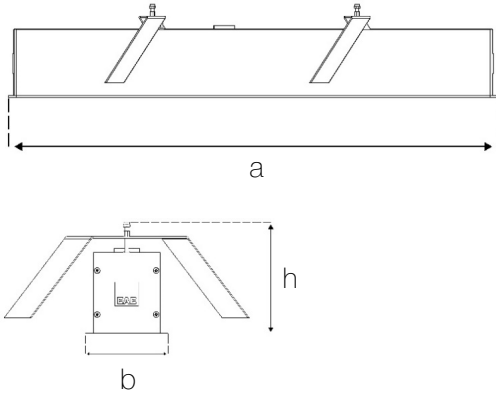
Optional Features

Correlated Color Temperatures	: 2700K, 3000K
Emergency Kit Options	: 1, 3 hours
DALI Option	: Yes
Color Option	: RAL 9005

STL

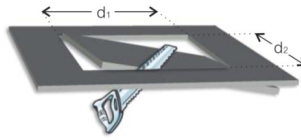
48 W Recessed Mounted Single Module Linear LED Luminaire

3099998 STL 048A 40OD00 4K2 180TK3I LN6XST



Dimensions (mm)

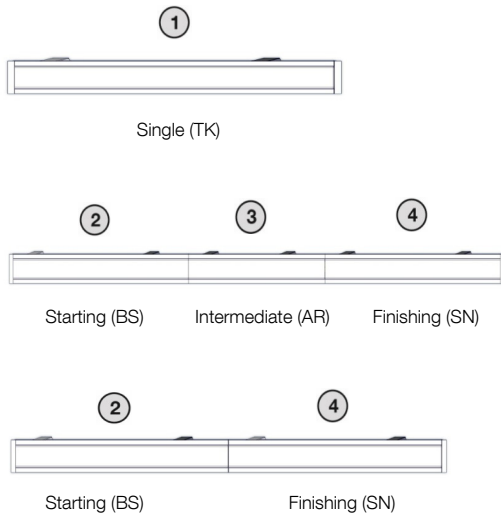
	a	b	h	d ¹ , d ²
Single Module	1825	86	120	1815x79
Starting Module	1810	86	120	1808x79
Finishing Module	1810	86	120	1808x79
Intermediate Module	1800	86	120	1800x79



Weight (kg)

Standard	5,5
With Emergency Kit (1 hr.)	5,8
With Emergency Kit (3 hrs.)	5,8

Installation System



1

Ordering Code : 3099998
Product Code : STL 048A 40OD00 4K2
180TK3I LN6XST
Module Model : Single (TK)

2

Ordering Code : 3099996
Product Code : STL 048A 40OD00 4K2
180BS3I LN6XST
Module Model : Starting (BS)

3

Ordering Code : 3099995
Product Code : STL 048A 40OD00 4K2
180AR3I LN6XST
Module Model : Intermediate (AR)

4

Ordering Code : 3099997
Product Code : STL 048A 40OD00 4K2
180SN3I LN6XST
Module Model : Finishing (SN)

- EAE, reserves the right to make changes without prior notice.



Revision date: 09.02.2020