

Order Code : 3099926
 Product Code : STL 037A 40OD00 3K2 150TK3I LN4XST

Product Data

Standard Features

Housing	: RAL 7047 Powder finished aluminium extrusion housing, aluminium injection cover
Diffuser	: Glare minimizing highly permeable diffuser
Ceiling Type	: Plasterboard
IP Grade	: IP40
Installation	: Recessed mounted
Light Source	: Mid Power LED

Optical & Electrical Features

Power Consumption	: 37.1 W
Final Luminous Flux	: 3733.7 lm
Efficacy	: 100.4 lm/W
Input Voltage	: 220-240 V AC
Frequency	: 50-60 Hz
Power Factor	: > 0,9
Surge Transient Protection	: 1 kV
Drive Current	: 925 mA
Correlated Color Temperature	: 4000K
Color Rendering Index	: >80

*There is ±%10 tolerance in the technical values.

Other Features & Conditions

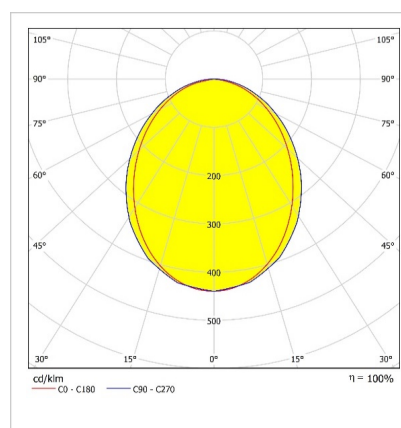
Operating Temperature Range	: -25 °C/+40 °C
Operating Temperature Range With Emergency Kit	: +5 °C/+35 °C
Impact Resistance	: IK02
Led Life Time - L70	: > 72.000 hours @Ta= 40 °C

STL

37 W Recessed Mounted Single Module
 Linear LED Luminaire



Photometric Curve



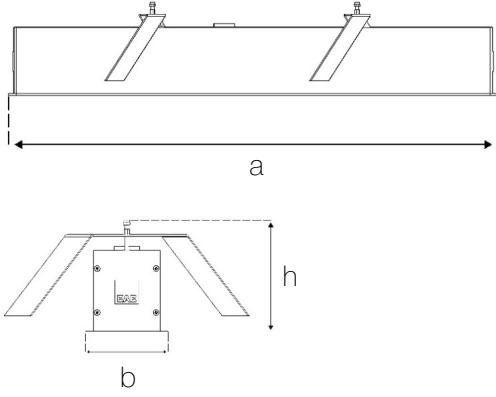
Optional Features

Correlated Color Temperatures	: 2700K, 3000K
Emergency Kit Options	: 1, 3 hours
DALI Option	: Yes
Color Option	: RAL 9005

STL

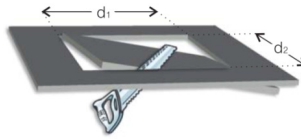
37 W Recessed Mounted Single Module Linear LED Luminaire

3099926 STL 037A 40OD00 3K2 150TK3I LN4XST



Dimensions (mm)

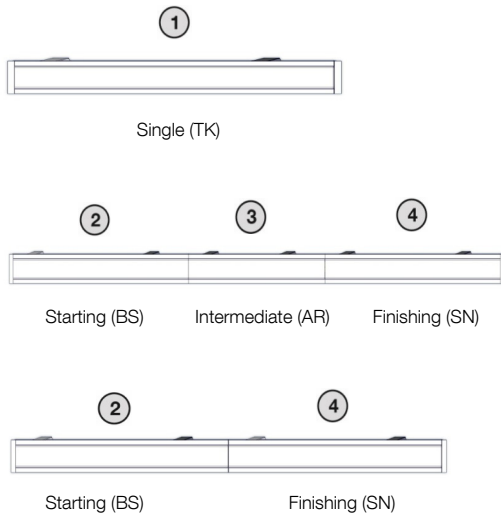
	a	b	h	d ¹ , d ²
Single Module	1525	86	120	1515x79
Starting Module	1510	86	120	1508x79
Finishing Module	1510	86	120	1508x79
Intermediate Module	1500.5	86	120	1505.5x79



Weight (kg)

Standard	4,7
With Emergency Kit (1 hr.)	5,1
With Emergency Kit (3 hrs.)	5,1

Installation System



1

Ordering Code : 3099926
Product Code : STL 037A 40OD00 3K2
150TK3I LN4XST
Module Model : Single (TK)

2

Ordering Code : 3099924
Product Code : STL 037A 40OD00 3K2
150BS3I LN4XST
Module Model : Starting (BS)

3

Ordering Code : 3099923
Product Code : STL 037A 40OD00 3K2
150AR3I LN4XST
Module Model : Intermediate (AR)

4

Ordering Code : 3099925
Product Code : STL 037A 40OD00 3K2
150SN3I LN4XST
Module Model : Finishing (SN)

- EAE, reserves the right to make changes without prior notice.



Revision date: 09.02.2020