

Order Code : 3099842  
 Product Code : STL 024A 40OD00 2K1 90TK3I LN3XST

## Product Data

### Standard Features

Housing	: RAL 7047 Powder finished aluminium extrusion housing, aluminium injection cover
Diffuser	: Glare minimizing highly permeable diffuser
Ceiling Type	: Plasterboard
IP Grade	: IP40
Installation	: Recessed mounted
Light Source	: Mid Power LED

### Optical & Electrical Features

Power Consumption	: 23.9 W
Final Luminous Flux	: 2381 lm
Efficacy	: 99.3 lm/W
Input Voltage	: 220-240 V AC
Frequency	: 50-60 Hz
Power Factor	: > 0,9
Surge Transient Protection	: 1 kV
Drive Current	: 600 mA
Correlated Color Temperature	: 4000K
Color Rendering Index	: >80

\*There is ±%10 tolerance in the technical values.

### Other Features & Conditions

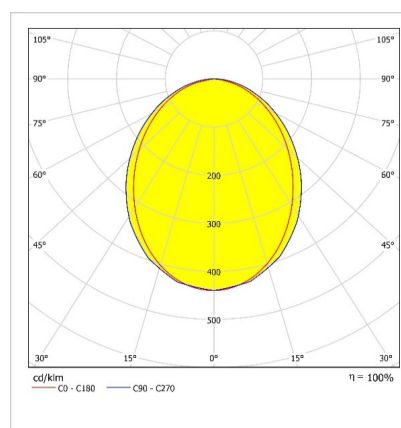
Operating Temperature Range	: -25 °C/+40 °C
Impact Resistance	: IK02
Led Life Time - L70	: > 72.000 hours @Ta= 40 °C

# STL

24 W Recessed Mounted Single Module  
 Linear LED Luminaire



## Photometric Curve



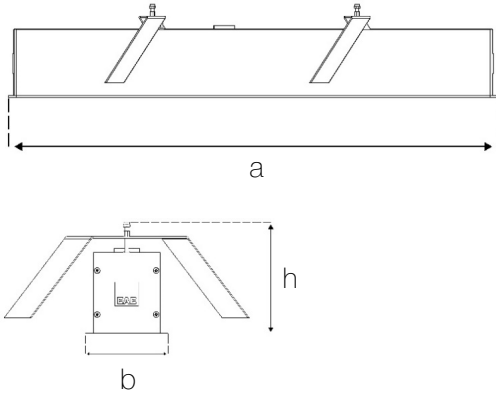
### Optional Features

Correlated Color Temperatures	: 2700K, 3000K
Emergency Kit Options	: No
DALI Option	: Yes
Color Option	: RAL 9005

# STL

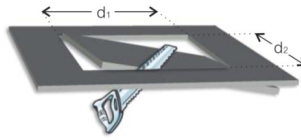
## 24 W Recessed Mounted Single Module Linear LED Luminaire

3099842 STL 024A 40OD00 2K1 90TK3I LN3XST



### Dimensions (mm)

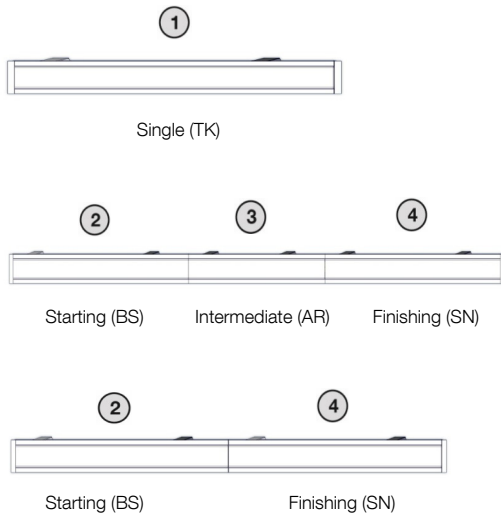
	a	b	h	d <sup>1</sup> , d <sup>2</sup>
Single Module	925.5	86	120	915x79
Starting Module	910	86	120	908x79
Finishing Module	910	86	120	908x79
Intermediate Module	901.5	86	120	901.5x79



### Weight (kg)

Standard	3,1
----------	-----

## Installation System



1

Ordering Code : 3099842  
Product Code : STL 024A 40OD00 2K1  
90TK3I LN3XST  
Module Model : Single (TK)

2

Ordering Code : 3099840  
Product Code : STL 024A 40OD00 2K1  
90BS3I LN3XST  
Module Model : Starting (BS)

3

Ordering Code : 3099839  
Product Code : STL 024A 40OD00 2K1  
90AR3I LN3XST  
Module Model : Intermediate (AR)

4

Ordering Code : 3099841  
Product Code : STL 024A 40OD00 2K1  
90SN3I LN3XST  
Module Model : Finishing (SN)

- EAE, reserves the right to make changes without prior notice.



Revision date: 09.02.2020