



Order Code : 3099686  
 Product Code : STL 020A 40OD00 1K7 150TK3I LN4XST

## Product Data

### Standard Features

Housing	: RAL 7047 Powder finished aluminium extrusion housing, aluminium injection cover
Diffuser	: Glare minimizing highly permeable diffuser
Ceiling Type	: Plasterboard
IP Grade	: IP40
Installation	: Recessed mounted
Light Source	: Mid Power LED

### Optical & Electrical Features

Power Consumption	: 19 W
Final Luminous Flux	: 2067.9
Efficacy	: 108.8 lm/W
Input Voltage	: 220-240 V AC
Frequency	: 50-60 Hz
Power Factor	: > 0,9
Surge Transient Protection	: 1 kV
Drive Current	: 500 mA
Correlated Color Temperature	: 4000K
Color Rendering Index	: >80

\*There is ±%10 tolerance in the technical values.

### Other Features & Conditions

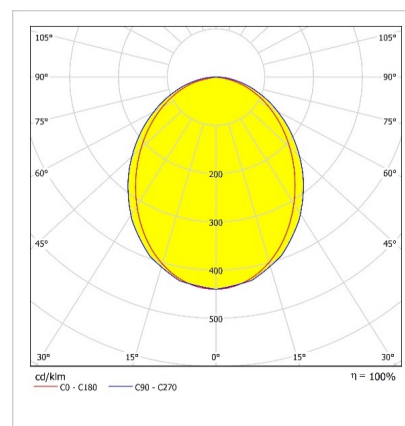
Operating Temperature Range	: -25 °C/+40 °C
Operating Temperature Range With Emergency Kit	: +5 °C/+35 °C
Impact Resistance	: IK02
Led Life Time - L70	: > 72.000 hours @Ta= 40 °C

# STL

19 W Recessed Mounted Single Module  
 Linear LED Luminaire



## Photometric Curve



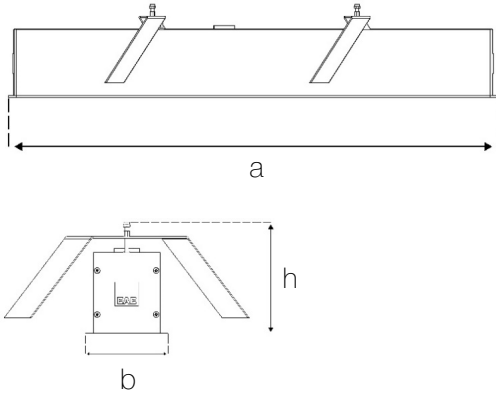
### Optional Features

Correlated Color Temperatures	: 2700K, 3000K
Emergency Kit Options	: 1, 3 hours
DALI Option	: Yes
Color Option	: RAL 9005

# STL

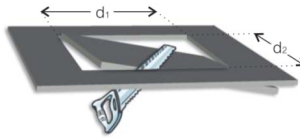
## 19 W Recessed Mounted Single Module Linear LED Luminaire

3099686 STL 020A 40OD00 1K7 150TK3I LN4XST



### Dimensions (mm)

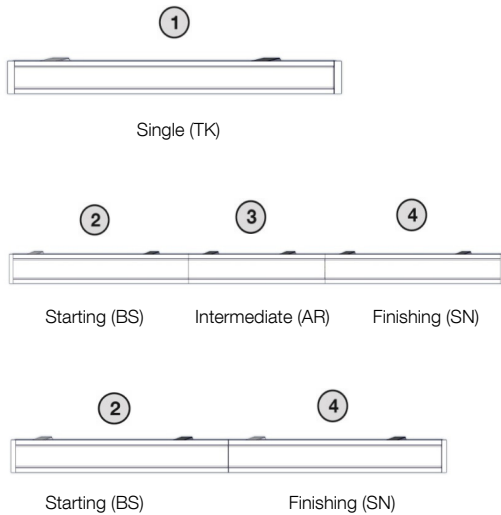
	a	b	h	d <sup>1</sup> , d <sup>2</sup>
Single Module	1525	86	120	1515x79
Starting Module	1510	86	120	1508x79
Finishing Module	1510	86	120	1508x79
Intermediate Module	1500.5	86	120	1505.5x79



### Weight (kg)

Standard	4,7
With Emergency Kit (1 hr.)	5,1
With Emergency Kit (3 hrs.)	5,1

## Installation System



1

Ordering Code : 3099686  
Product Code : STL 020A 40OD00 1K7  
150TK3I LN4XST  
Module Model : Single (TK)

2

Ordering Code : 3099684  
Product Code : STL 020A 40OD00 1K7  
150BS3I LN4XST  
Module Model : Starting (BS)

3

Ordering Code : 3099683  
Product Code : STL 020A 40OD00 1K7  
150AR3I LN4XST  
Module Model : Intermediate (AR)

4

Ordering Code : 3099685  
Product Code : STL 020A 40OD00 1K7  
150SN3I LN4XST  
Module Model : Finishing (SN)

- EAE, reserves the right to make changes without prior notice.



Revision date:09.02.2020