



MODILED HE

Pendant 22 W LED Lighting Luminaire

Order Code : 3084368
Product Code : MDL 022S 40OD00 HE 150I3



Product Data

Standard Features

Housing	: Aluminium extrusion housing and cover
Diffuser	: Anti glare opal PMMA diffuser
IP Grade	: IP20
Installation	: Pendant
Light Source	: Mid Power LED

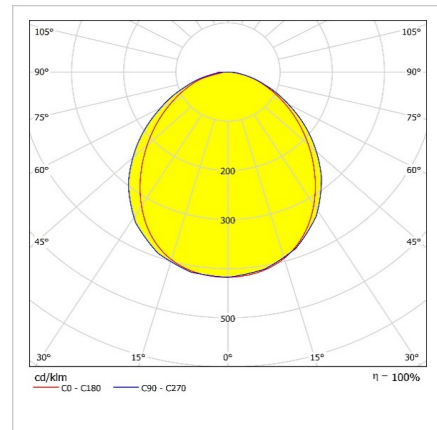
Optical & Electrical Features

Power Consumption	: 22.1 W
Final Luminous Flux	: 2780.3 lm
Efficacy	: 125.6 lm/W
Input Voltage	: 220-240V AC
Frequency	: 50-60 Hz
Power Factor	: Cos ϕ > 0,9
Surge Transient Protection	: 1 kV
Drive Current	: 700 mA
Correlated Color Temperature	: 4000K
Color Rendering Index	: >80

Other Features & Conditions

Operating Temperature Range	: -20 °C/+40 °C
Operating Temperature Range With Emergency Kit	: +5 °C/+35 °C
Impact Resistance	: IK02
Led Life Time - L70	: > 60.000 hours @Ta= 40 °C

Photometric Curve



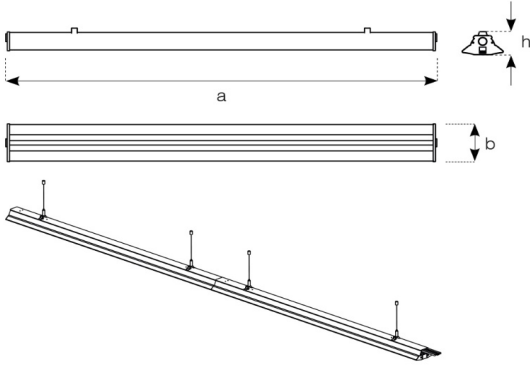
Optional Features

Correlated Color Temperatures	: 3000K, 6500K
ACK Uyumluluğu	: 1, 3 hours
DALI Option	: Yes

MODILED HE

Pendant 22 W LED Lighting Luminaire

3084368 MDL 022S 40OD00 HE 15013



Dimensions (mm)

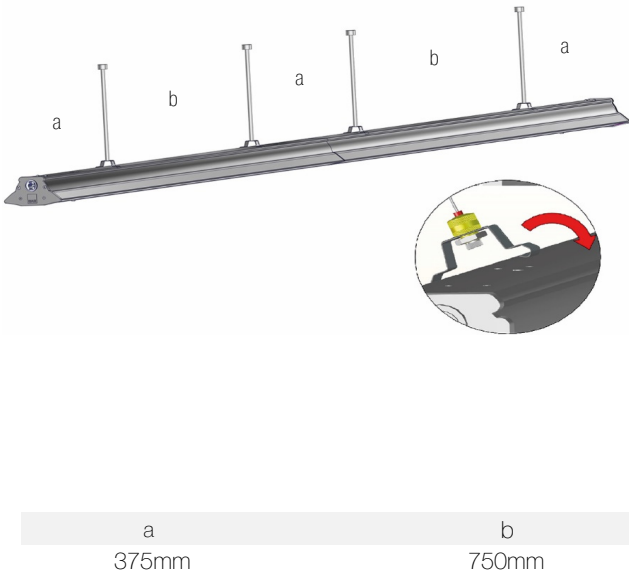
	a	b	h
Standard	1500	127	78

Weight (kg)

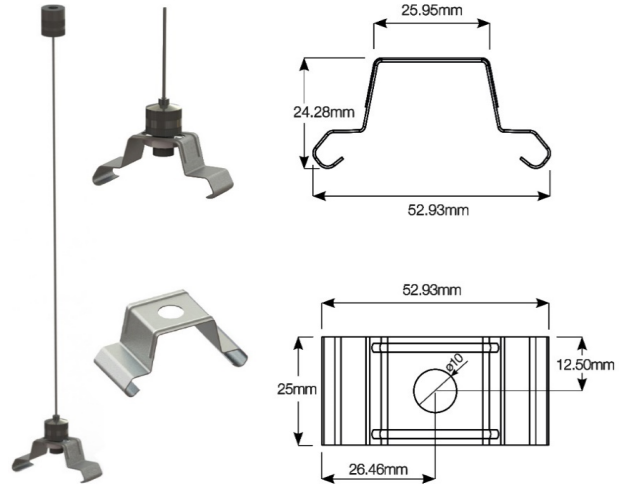
Standard	3,1
With Emergency Kit (1 hr.)	3,8
With Emergency Kit (3 hrs.)	4



Installation System



Suspension Set



- EAE Aydınlatma reserves the right to make any change without prior notice.



EAE Aydınlatma A.Ş.

İkitelli Organize Sanayi Bölgesi Eski Turgut Özal Caddesi No:20 Başakşehir / İSTANBUL-TURKEY Phone: +90 212 413 21 00 (pbx) Fax: +90 212 549 37 90
www.eaeaydinlatma.com.tr

Revizyon tarihi: 11.01.2018